



The **SAPHIR 550 WITH RUBIN 520** is a single wheel grinder and polisher of recent generation with an innovative grinding and polishing head for working wheels \varnothing 250 - 300 mm. The grinding and polishing head 520 is equipped with an automatic protective hood and sets a new standard for operational safety.

Operational handling via touch-display is as simple and easy as a smart-phone. Energy saving LEDs illuminate the working area completely. Single and central pressure, memory function, integrated dosing system, material removed measurement are only a few of the possibilities.

Motor-driven height setting with pneumatic clamping and all characteristics of the basic unit Saphir 350 meet the highest demands.



WATER

The automatically switched integrated basin rinsing is cooling the working wheel and cleaning the basin during the entire working process. The rinsing tap can be pulled out with the hose extension. Optimum distribution of water can be reached by swinging the tap left and right across the diameter of the working wheel.

GRINDING AND POLISHING HEAD

Through the individual pressure of the Rubin 520, samples with different diameter and materials can be worked at the same time. It also has a memory function for the side and height setting. The grinding and polishing head Rubin 520 is operated via a clearly laid out touch-display. Programs can be compiled here and then saved. Furthermore it is fitted with a quick-change function for the sample holders and clockwise and anticlockwise running directions.

VARIABLE SPEED

The display on the grinder and polisher shows the speed digitally. The base speed can be infinitely adjusted between 50 and 450 rpm. The head speed is separately adjustable between 30 and 150 rpm. The speed can also be changed during the working sequence.

MATERIAL REMOVED MEASUREMENT

The removal height can be predetermined with 0.01 mm accuracy. The material removed measurement takes place automatically. After reaching the preset value, the machine switches off.



BASIC MODULE WITH RUBIN 520



SAPHIR 550 – RUBIN 520

Order No.: M5600130

- » Single wheel grinder/polisher with Rubín 520 head
- » Single and central pressure
- » Variable speed
- » Electronic control with touch display
- » Programmable memory
- » Polishing head: clockwise/anti-clockwise rotation
- » Memory function for side and height adjustment
- » Automatic protective hood
- » Energy saving LED illumination of working area
- » Integrated basin rinsing with cleaning and cooling function
- » Automatic water solenoid
- » Basin rinsing
- » Incl. splashing ring and cover
- » Aluminium case, powder coated
- » Impact-proof plastic bowl
- » Optional: controlled removal

EQUIPMENT

POWER SUPPLY (select equipment)

Equipment 1

230 V/50 Hz (1/N/PE)

Order No.: A5600043

Equipment 2

110 V/60 Hz (1/N/PE)

Order No.: A5600044

CONTROLLED REMOVAL (select equipment)

Equipment 1

Without controlled removal

Order No.: A5600053

Equipment 2

With controlled removal

Order No.: A5600054



E-Lab ready

Working wheels, sample holders etc. see page 3.41 and further.
Technical changes are reserved..

OPTION

DOSING UNIT

**For Rubin 520 and 530**

Order No.: A5400001

- » Integrated dosing nozzles
- » Controllable via touch display, incl. memory function
- » 4x diamond suspension dosing
- » 1x lubricant dosing
- » 1x oxide polishing dosing

ACCESSORIES

BOTTLE HOLDER FOR DIAMOND SUSPENSION**For Rubin 520 and 530**

Order No.: Z5410006

- » Aluminium, powder coated
- » WxHxD 290x185x120 mm

SETTLING TANK

- » 2-chamber-compartment, powder coated, 45 Ltr.
- » Overflow and opening sieve



**For System lab
(insertion mechanism)**
Order No.: A5800029



Mobile
Order No.: A5800051

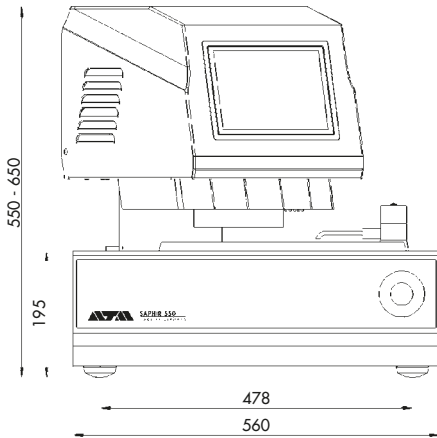
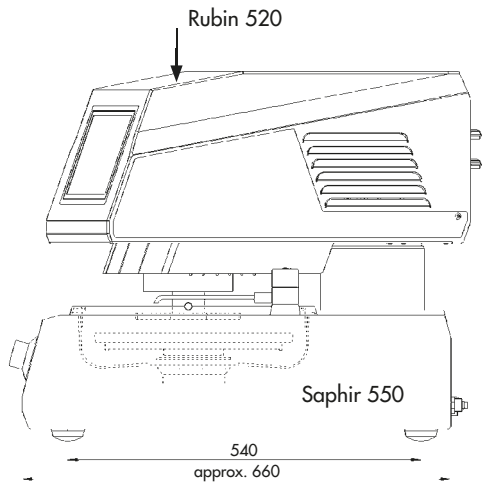
SYSTEM LAB CABINET

Order No.: M5800042
» System lab assembly
» WxHxD 880x800x800 mm

CONNECTION SET

Order No.: Z5600009
» 1 drain tube Ø 40 mm; 1.5 m
» 1 pressure tube R 1/2"; 2 m
» 1 pressure tube; 3 m long with coupling and screw thread R 3/8"

SPECIFICATIONS



Connected load	3.2 kVA
Power supply	1 230 V/50 Hz (1/N/PE)
	2 110 V/60 Hz (/N/PE)

SAPHIR 550

Working wheels	Ø 250 - 300 mm
Speed	50 - 600 rpm

RUBIN 520

Single pressure	1-6 samples Ø 50 mm
Central pressure	depending on sample holder
Speed	30 - 150 rpm
Pressure	variable
Single pressure	5 - 100 N
Central pressure	20 - 400 N

WxHxD approx.	560 x 550-650 x 660 mm
Weight	approx. 85 kg

